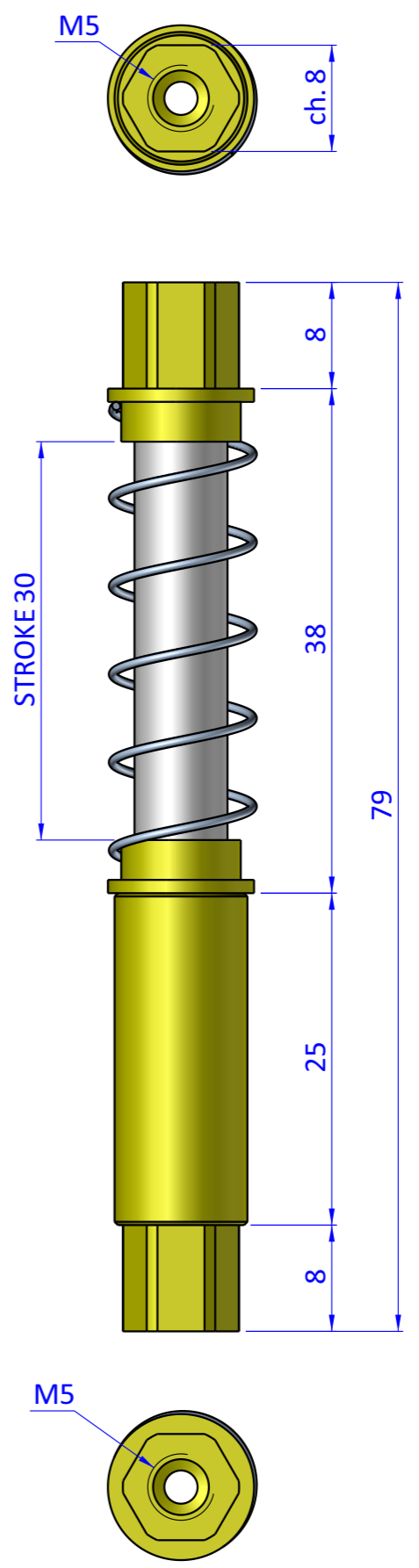
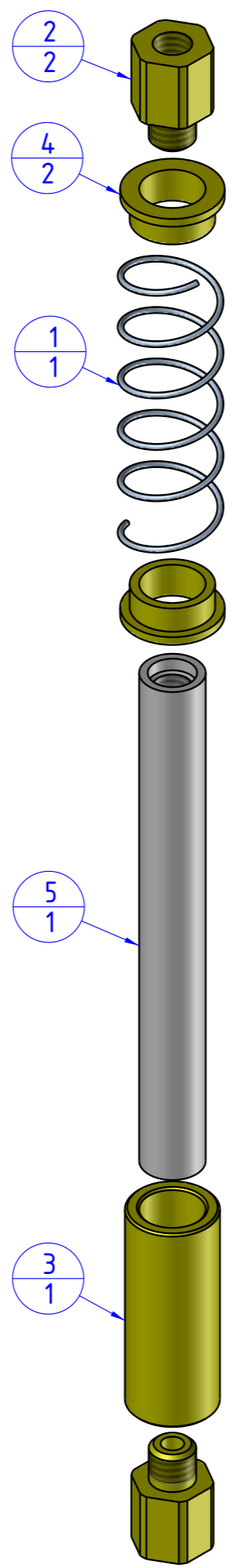



THE PROPERTY OF THE DRAWING IS ESTABLISHED BY LAW. IT IS FORBIDDEN TO PRODUCE OR SHOW IT TO THIRD PART. WITHOUT A WRITTEN AGREEMENT.

Item	Name	Q.ty
1	M.10.5x48B	1
2	SAE.10050510.1	2
3	SAR.10050510.3	1
4	SAE.10050510.4	2
5	SAR.10050530.1	1



Format A3  
UNI 936-76

 FPS SERVICES AUTOMATION		DESIGNED FROM		REVIEW
		FPS Automation		A
GENERAL TOLERANCE		DATE	WEIGHT	
UNI - ISO 2768		31/03/2022	0,030kg	
CLASSE f		CODE	CA.SAR.10050530	
DESCRIPTION		CA.SAE.10050510		